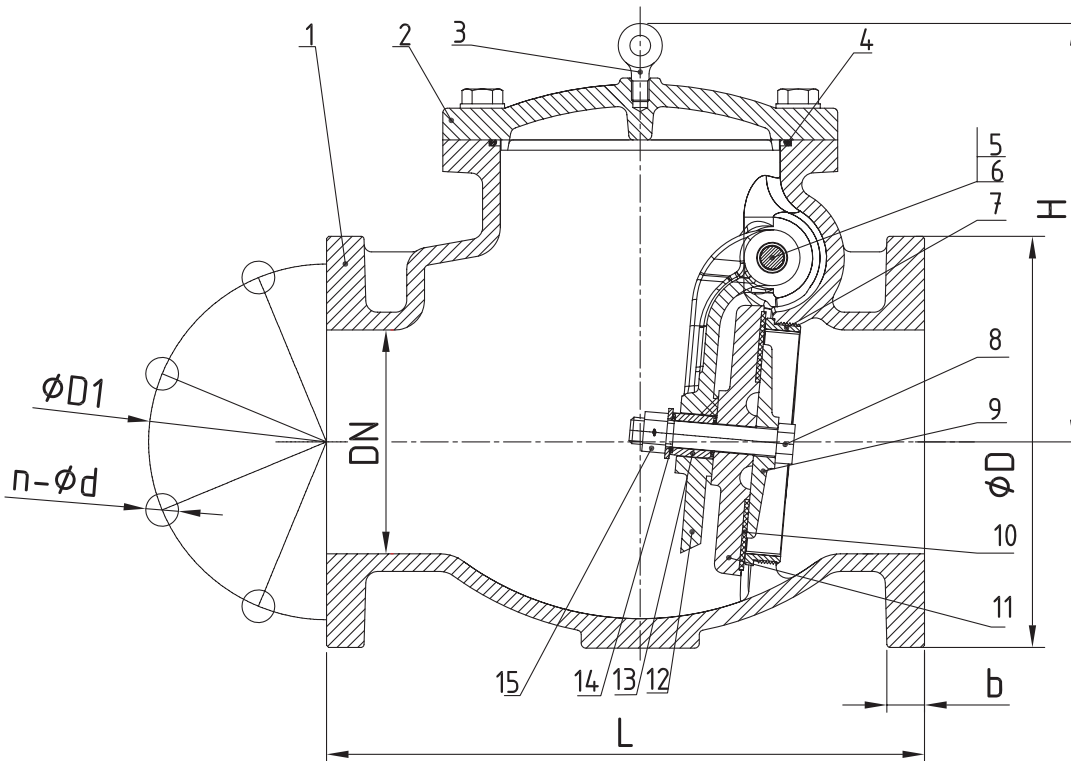


**CHECK VALVES**

**Swing Check Valve Flanged / Model AFCV**



- Size** : 2", 2 1/2", 3", 4", 6", 8", 10", 12"
- Installation** : Horizontal or vertical
- Working Pressure** : 20,7 bar (300psi)
- Max. Test Pressure** : 41,4 bar (600psi)
- Working Temperature** : 0 - 80°C
- Connection** : Flange diameter and thickness according to ANSI B16.1 Class 125, EN1092-2 PN10 or EN1092-2 PN16
- Specifications** : Complys with AWWA C508, clear waterway design.
- Seat Type** : Bronze clapper face ring and valve body seat
- Finish** : Fusion bonded epoxy coated interior & exterior





## CHECK VALVES

### Material List

No	Part	Material	ASTM Specification
1	Valve Body	Ductile Iron	ASTM A536 65-45-12
2	Bonnet	Ductile Iron	ASTM A536 65-45-12
3	Eye Bolt	Zinch Plated Carbon Steel	
4	O-Ring	NBR	Commercial
5	Hinge Pin	Stainless Steel	AISI 304
6	Hinge Bushing	Brass	ASTM B36
7	Seat Ring	Bronze	ASTM B62
8	Disc Seat Bolt	Stainless Steel	AISI 304
9	Retainer Washer	Bronze	ASTM B62
10	Disc Sealing Ring	EPDM	Commercial
11	Disc	Ductile Iron	ASTM A536 65-45-12
12	Clapper Arm	Ductile Iron	ASTM A536 65-45-12
13	Stud Bushing	Brass	ASTM B36
14	O-Ring	NBR	Commercial
15	Nuts	Stainless Steel	AISI 304

### Dimensions - Weights

SIZE	L	D	b	H	DIMENSIONS (mm)						WEIGHTS (kg)	
					D1			n-ØL				
					ANSI	PN16	PN10	ANSI	PN16	PN10		
DN50	2"	203	152	16	133	120,5	125		4-Ø19.1			11,2
DN65	2 1/2"	254	178	17,5	150	139,5	145		4-Ø19.1			16,7
DN80	3"	279	191	19	150	152,5	160		4-Ø19.1	8-Ø19.1		22,5
DN100	4"	330	229	24	218	190,5	180		8-Ø19.1	8-Ø19.1		34,9
DN150	6"	406	279	25,5	290	241,5	240		8-Ø22.2	8-Ø23		65,2
DN200	8"	495	343	28,5	330	298,5	295		8-Ø22.2	12-Ø23	8-Ø23	120,7
DN250	10"	559	406	30,5	350	362	355	350	12-Ø25.4	12-Ø28	12-Ø23	180,9
DN300	12"	660	483	32	375	432	410	400	12-Ø25.4	12-Ø28	12-Ø23	242,3

**Valve flange drilling (size and location of holes) allows mating with the following flange types:**

ANSI= ANSI B16.1 Class 125

PN16=DIN 2501, EN 1092 - PN16

PN10=DIN 2501, EN 1092 - PN10