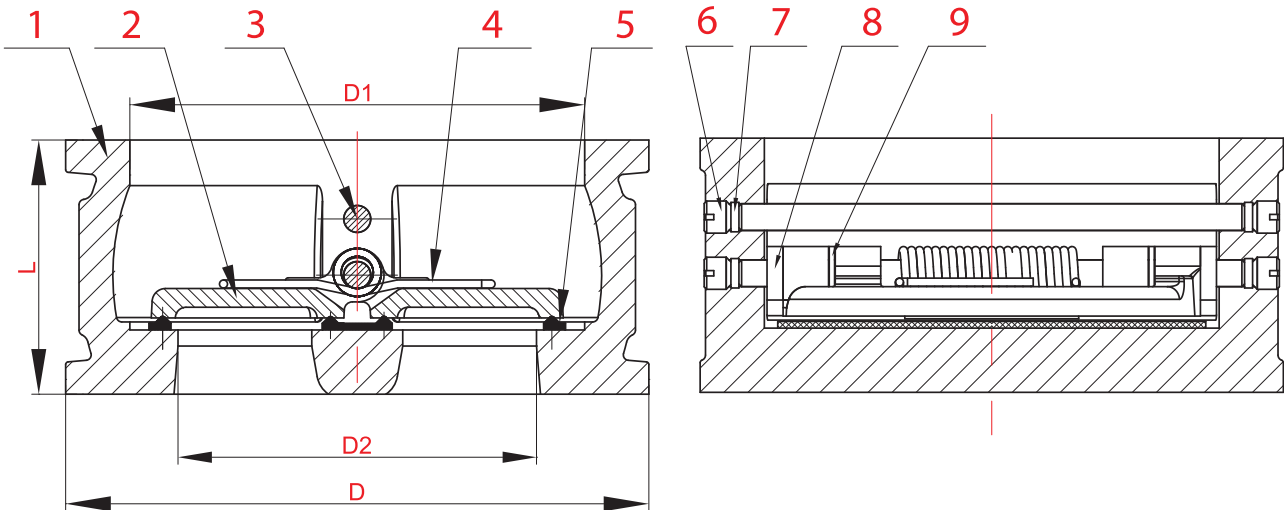


**Wafer Type Double Door Check Valve / Model AWCV-300**



- Size** : 2", 2 1/2", 3", 4", 6", 8", 10", 12", 14", 16"
- Installation** : Horizontal or vertical
- Working Pressure** : 20,7 bar (300psi)
- Max. Test Pressure** : 41,4 bar (600psi)
- Working Temperature** : 0 - 80°C
- Connection** : Flange diameter according to  
ANSI B16.1 Class 125 / 150  
EN1092-2 PN 10 / 16
- Clapper** : AISI 316 Stainless Steel
- Finish** : Fusion bonded epoxy coated interior & exterior



## CHECK VALVES

### Material List

No	Part	Material	Specification
1	Body	Ductile Iron	ASTM A536 65-45-12
2	Disc	Stainless Steel	AISI 316
3	Stem	Stainless Steel	AISI 420
4	Spring	Stainless Steel	AISI 304
5	Rubber Seat	EPDM	Commercial
6	Retainer Screw	Carbon Steel	-
7	Shaft Seal	EPDM	Commercial
8	Washer	PTFE	Commercial
9	Washer	PTFE	Commercial

### Dimensions - Weights

SIZE		DIMENSIONS (mm)				WEIGHTS (kg)
		L	D	D1	D2	
DN50	2"	54	106	68	46	1,71
DN65	2 1/2"	60	127	78	60	2,50
DN80	3"	57	134	102	70	2,87
DN100	4"	67	162	117	84	4,92
DN125	5"	83	193,5	145	115	7,35
DN150	6"	95	218	170	134	10,61
DN200	8"	127	275	226	184	18,82
DN250	10"	140	335,5	265	220	31,58
DN300	12"	181	405,5	310	260	51,05
DN350	14"	184	447,4	360	302	68,76
DN400	16"	191	505	410	350	91,68