

FIRE PUMP FLOWMETER SYSTEM

Venturi Flow Test Meter / Model AYZ



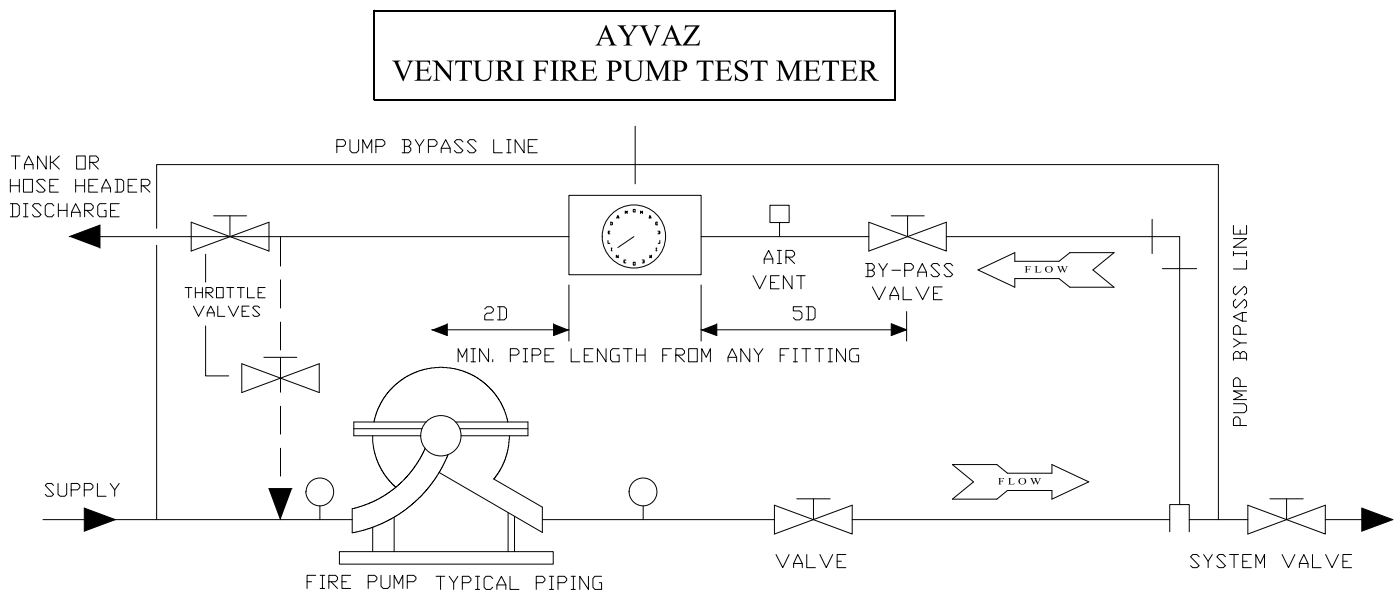
Construction & Specifications

Materials	: Carbon steel
Valves	: Brass
Connection & Rated Pressure	: Welded -500PSI
	: Grooved -500PSI
	: Flanged #150 -275PSI
	: Flanged #300 -500PSI
Hose	: Rubber with brass fittings
ID Tag	: Polycarbonate

Meter Device

Body	: Aluminium
Operation	: Diaphragm
Accuracy	: +%2 Full Scale
Temperature	: 80°C
Pressure	: 500PSI
Weight	: 1.7kg
Size	: 4" Dial

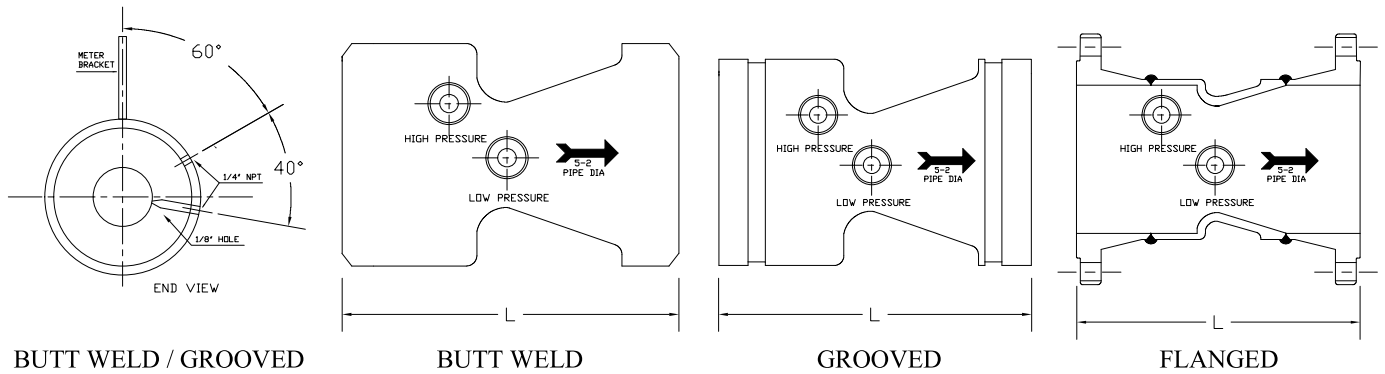
Installation



Operating instructions

- 1- Close system valve
- 2- Open system by-pass valve and throttle valve
- 3- Purge meter located on venturi as follows:
 - Open shut-off valves & vent valves.
 - When a steady stream of water is passing through Each plastic hose, the meter is purged of air.
 - Close vent valve after purging.
- 4- Start fire pump, read meter in gpm/lpm
- 5- Refer to pump gpm/lpm requirement and adjust Throttle valve for this requirement.
- 6- After test open system valve and close system By-pass and throttle valves.

FIRE PUMP FLOWMETER SYSTEM



BUTT WELD / GROOVED

BUTT WELD

GROOVED

FLANGED

SIZE	PUMP CAPACITY GPM	FLOW RANGE		MIN. STRAIGHT PIPE LENGTH (mm)		BUTT WELD & GROOVED		FLANGED # 150LB		FLANGED # 300LB	
		MIN	MAX			L (mm)	WEIGHT KG.	L (mm)	WEIGHT KG.	L (mm)	WEIGHT KG.
		GPM		BEFORE	AFTER						
3"	150	75	300	445	178	101,6	2,7	238,1	13,6	260,4	16,3
	200	100	400								
4"	250	125	500	570	228	136,5	4,5	288,9	18,1	308,0	27,2
	300	150	600								
	400	200	800								
	450	225	900								
5"	450	225	900	695	278	152,4	9,1	330,2	26,3	349,3	38,1
	500	250	1000								
6"	500	250	1000	840	336	177,8	10,0	355,6	31,7	374,7	48,0
	750	375	1500								
	1000	500	2000								
	1250	625	2500								
8"	1000	500	2000	1095	438	184,2	14,0	387,4	42,1	406,4	82,0
	1250	625	2500								
	1500	750	3000								
	2000	1000	4000								
	2500	1250	5000								
	3000	1500	6000								
10"	1500	750	3000	1365	546	203,2	20,4	406,4	67,5	438,2	102,8
	2000	1000	4000								
	2500	1250	5000								
	3000	1500	6000								
	3500	1750	7000								
	4000	2000	8000								
	4500	2250	9000								
12"	2000	1000	4000	1620	648	304,8	35,3	533,4	107,8	565,2	162,2
	2500	1250	5000								
	3000	1500	6000								
	3500	1750	7000								
	4000	2000	8000								
	4500	2250	9000								