

## SUPERVISORY SWITCHES

### OS&Y Supervisory Switch / Model OSY2



The AYVAZ OSY2 is used to monitor the open position of an Outside Screw and Yoke (OS&Y) type gate valve.

#### Features

- NEMA 3R-rated enclosure
- User-friendly mounting bracket fits newer valve yokes
- Single side conduit entry does not require right angle fittings
- Adjustable length actuator eliminates the need for cutting the shaft
- Accommodates up to 12 AWG wire
- Three position switch monitors vandal and valve close signals
- Two SPDT contacts are enclosed in a durable terminal block for added strength
- 100 percent synchronization activates both alarm panel and local bell simultaneously

#### Specifications

**Maximum Operating Pressure** : 300 psi

#### Maximum Adjustment

**Pressure Range** : 4 to 20 psi  
**Differential** : Approximately 3 psi throughout range)

**Factory Setting** : Operates at rising pressure 4 to 8 psi

**Switch Contact Ratings** : EPS10-1: One set SPDT (Form C)  
 EPS10-2: Two sets SPDT (Form C) 1 0.0 A,  
 ½ H P @ 125/250 VAC  
 2.5 A @ 6/12/24 VDC

**Pressure Connection** : ½" NPT male glass reinforced nylon

**Operating Temperature Range** : Indoor or outdoor use: -40°F to 160°F (-40°C to 71°C)

**Cover Tamper Switch** : UL Models: Optional P/N 546-8000 ULC Models: Factory Installed

**Enclosure** : Rated UL 4x, NEMA 4 for indoor or outdoor use

**Shipping Weight** : 1.2 lbs. (.54 kg)

**Service Use** : Automatic Sprinkler: NFPA 13 One or Two Family Dwelling: NFPA 13D Residential Occupancies up to 4 Stories: NFPA 13R National Fire Alarm Code: NFPA 72

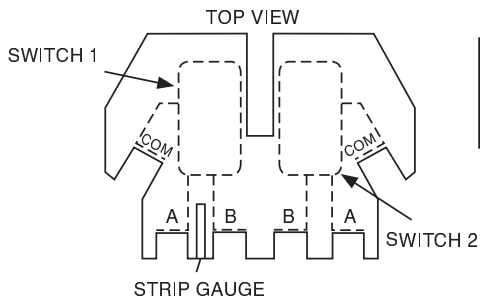
**Warranty** : 3 years

**Dimensions** : 5.12" H × 3.325" W × 4.250" L  
 (13.0 cm × 8.4 cm × 10.8 cm)



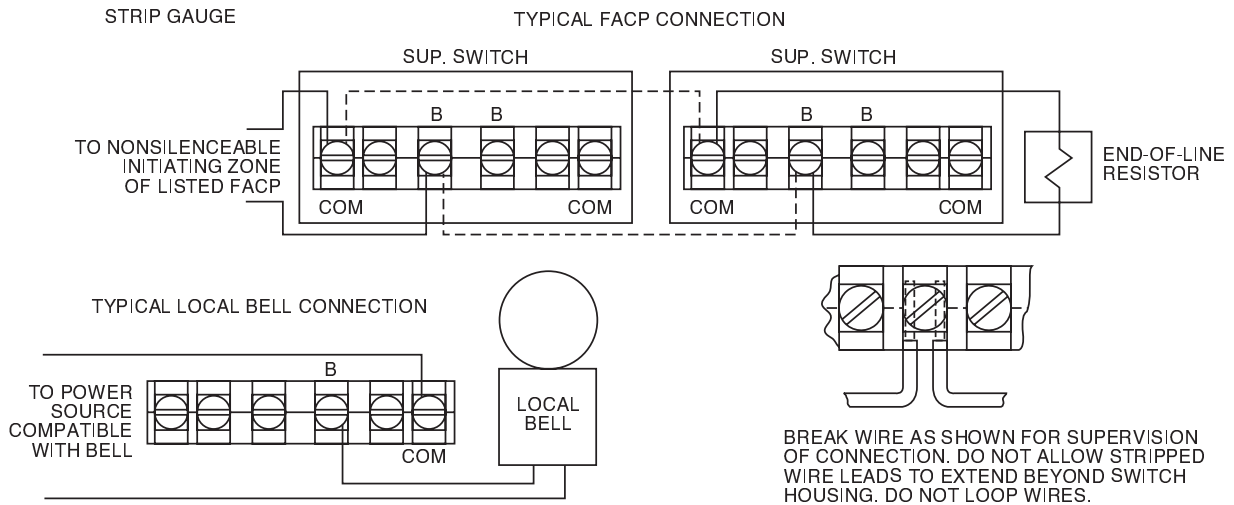
# SUPERVISORY SWITCHES

## Electrical Connections for OSY2



CONTACT RATINGS	
125/250 VAC	10 AMPS
24 VDC	2.5 AMPS

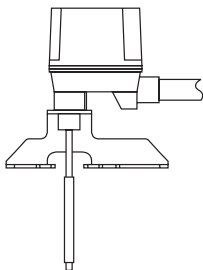
NOTE: COMMON AND B CONNECTIONS WILL CLOSE WHEN VALVE MOVES 1/5 OF ITS TOTAL TRAVEL DISTANCE.



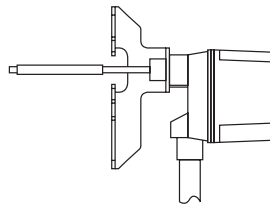
BREAK WIRE AS SHOWN FOR SUPERVISION OF CONNECTION. DO NOT ALLOW STRIPPED WIRE LEADS TO EXTEND BEYOND SWITCH HOUSING. DO NOT LOOP WIRES.

## OSY2 Mounting

The following are examples of acceptable mounting positions:

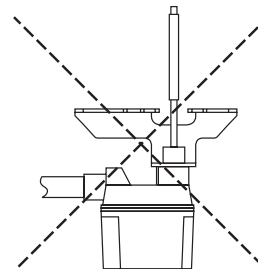


Actuator Vertical (Down)



Actuator Horizontal

The following mounting position is **not acceptable**:



Actuator Vertical (Pointing Up)